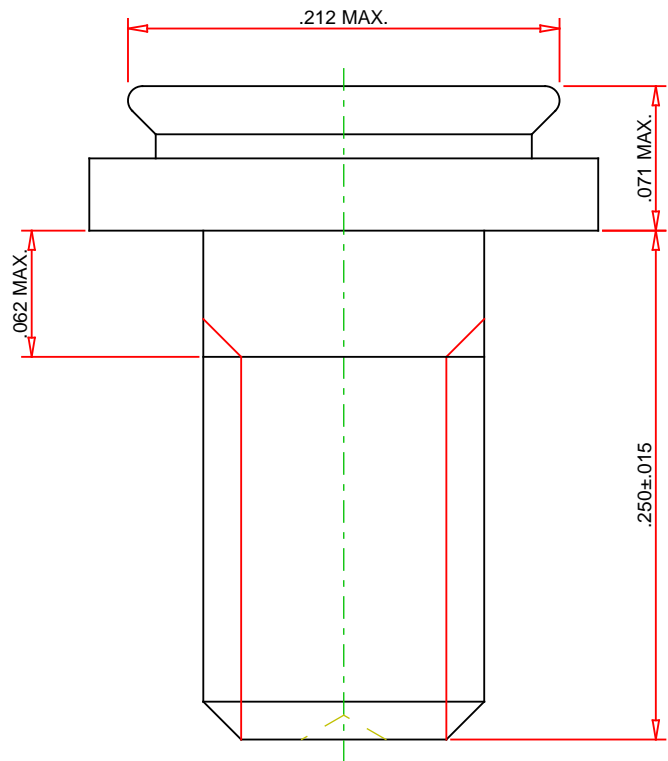
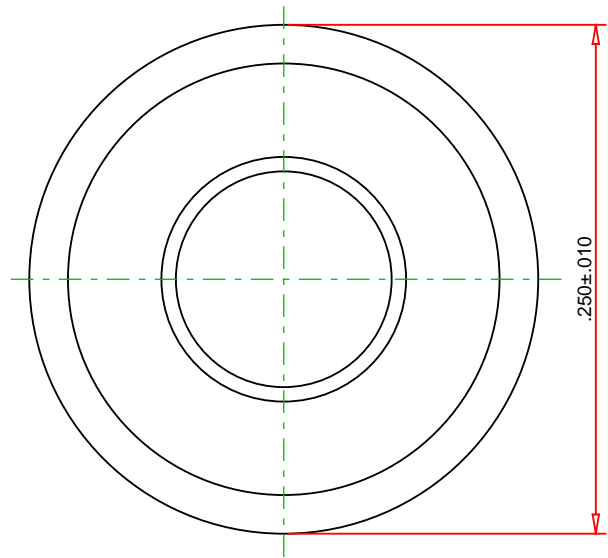
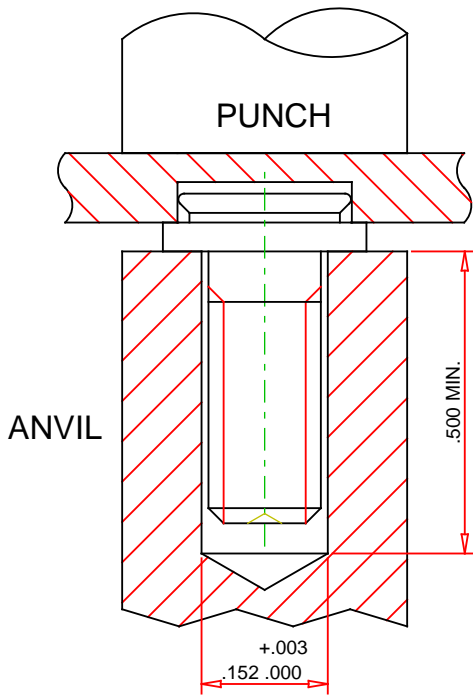


RECOMMENDED
INSTALLATION
TOOLING



© 2019 PennEngineering

ALL DIMENSIONS IN INCHES

DATE 5-DEC-2019

NOTE : DRAWING NOT TO SCALE

THREAD :	.138-32 (#6-32)	MOUNTING HOLE DIA. :	.213 +.003 -.000
MATERIAL:	300 SERIES STAINLESS STEEL	PANEL THICKNESS:	.093 MINIMUM
HEAT TREAT:	NONE	MAX. PANEL HARDNESS:	HRB 70 / HB 125
FINISH:	Passivated and/or tested per ASTM A380	MIN CENTERLINE-TO-EDGE:	0.188

DESCRIPTION :
CONCEALED-HEAD STUDS - TYPES CHA,CFHA,CHC,CFHC -
UNIFIED

PART NO. :
CFHC-632-4



PennEngineering®

EMAIL: TECHSUPPORT@PEMNET.COM
WWW.PEMNET.COM