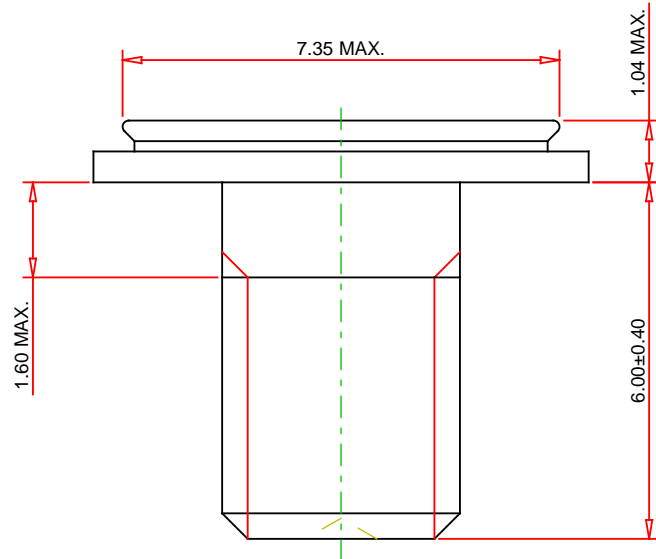
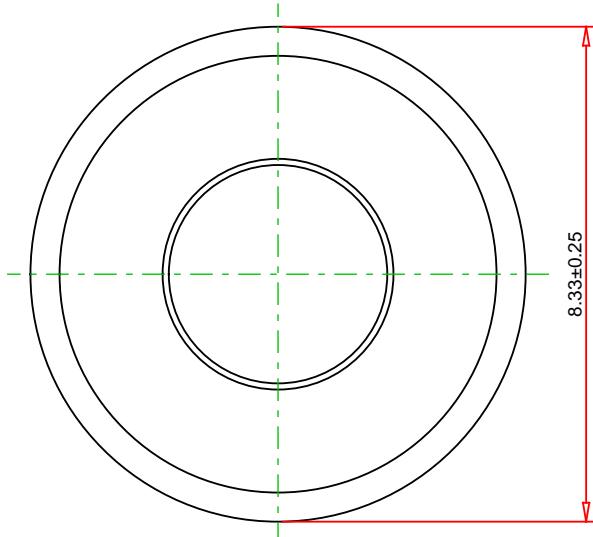
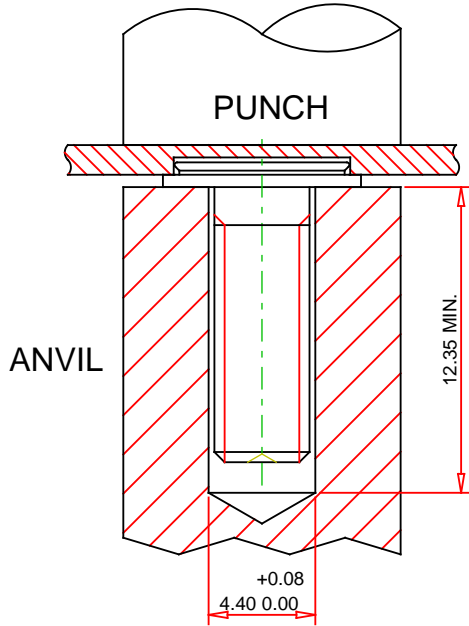


RECOMMENDED  
INSTALLATION  
TOOLING



© 2019 PennEngineering

ALL DIMENSIONS IN MILLIMETERS

DATE 5-DEC-2019

NOTE : DRAWING NOT TO SCALE

THREAD :	M4 x 0.7	MOUNTING HOLE DIA. :	7.37 +0.08 -0.00
MATERIAL:	300 SERIES STAINLESS STEEL	PANEL THICKNESS:	1.60 MINIMUM
HEAT TREAT:	NONE	MAX. PANEL HARDNESS:	HRB 70 / HB 125
FINISH:	Passivated and/or tested per ASTM A380	MIN CENTERLINE-TO-EDGE:	5.6

DESCRIPTION :  
CONCEALED-HEAD STUDS - TYPES CHA,CFHA,CHC,CFHC -  
METRIC

PART NO. :  
CHC-M4-6



PennEngineering®

EMAIL: TECHSUPPORT@PEMNET.COM  
WWW.PEMNET.COM