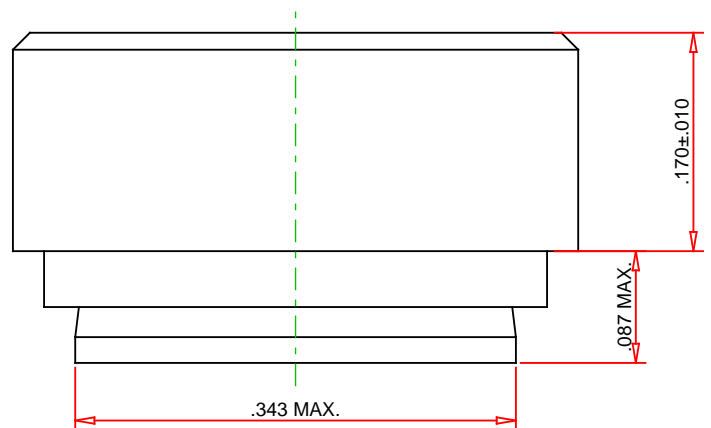
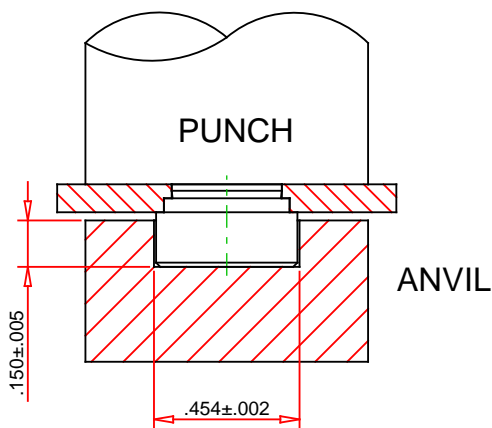


RECOMMENDED  
INSTALLATION  
TOOLING



© 2019 PennEngineering

ALL DIMENSIONS IN INCHES

DATE 27-NOV-2019

NOTE : DRAWING NOT TO SCALE

|             |  |                         |                  |
|-------------|--|-------------------------|------------------|
| THREAD :    | .250-20 (1/4-20)                       | MOUNTING HOLE DIA. :    | .344 +.003 -.000 |
| MATERIAL:   | 300 SERIES STAINLESS STEEL             | PANEL THICKNESS:        | .091 MINIMUM     |
| HEAT TREAT: | NONE                                   | MAX. PANEL HARDNESS:    | HRB 70 / HB 125  |
| FINISH:     | Passivated and/or tested per ASTM A380 | MIN CENTERLINE-TO-EDGE: | 0.34             |

DESCRIPTION :  
SELF-CLINCHING NUTS - TYPES S, SS, CLS, CLSS, SP -  
UNIFIED

PART NO. :  
CLS-0420-2



PennEngineering®

EMAIL: TECHSUPPORT@PEMNET.COM  
WWW.PEMNET.COM