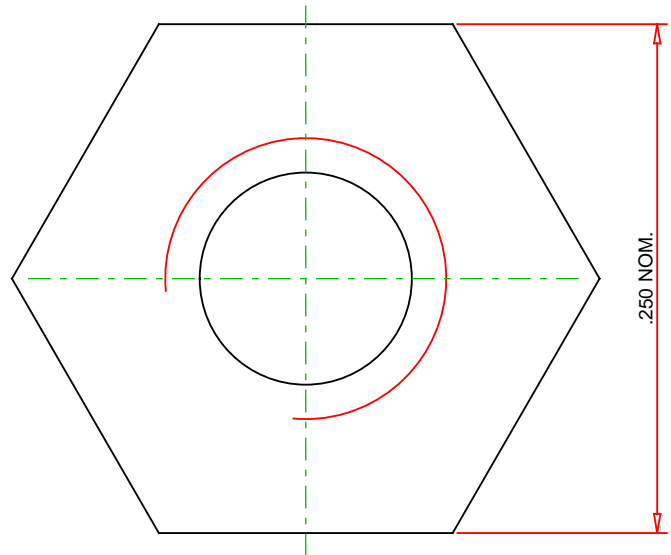
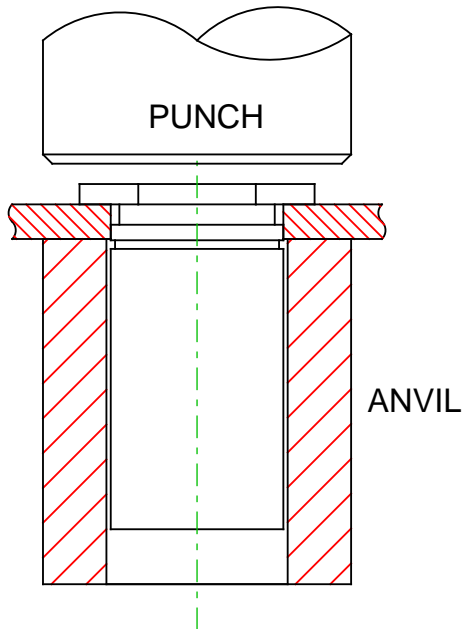
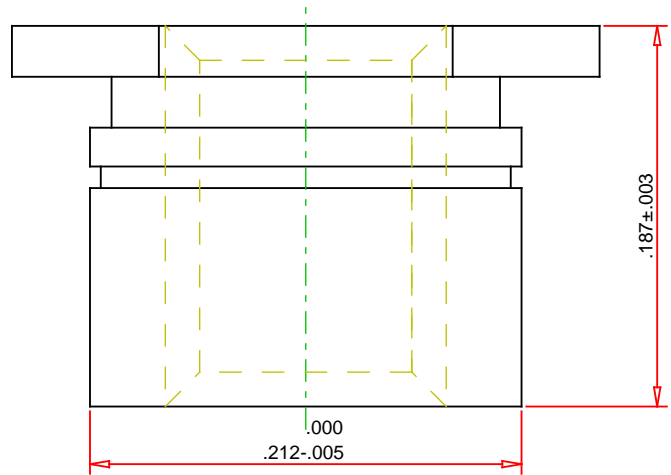
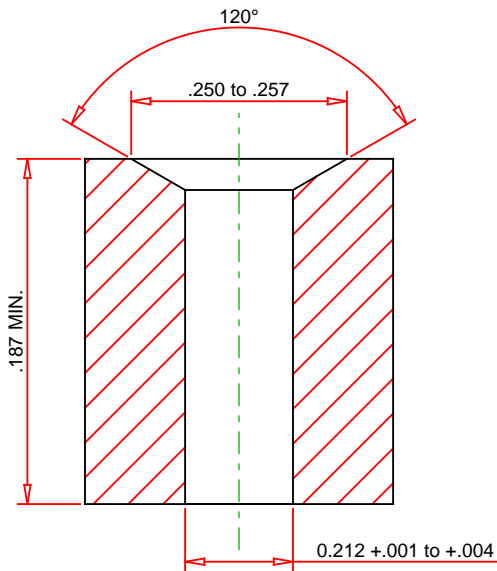


RECOMMENDED  
INSTALLATION  
TOOLING



REQUIRED INSTALLATION ANVIL  
FOR SHEETS BELOW .032" / 0.81MM



© 2019 PennEngineering

ALL DIMENSIONS IN INCHES

DATE 3-DEC-2019

NOTE : DRAWING NOT TO SCALE

THREAD : .138-32 (#6-32)	MOUNTING HOLE DIA. : .213 +.003 -.000
MATERIAL: 400 SERIES STAINLESS STEEL	PANEL THICKNESS: .025 MINIMUM
HEAT TREAT: YES	MAX. PANEL HARDNESS: HRB 88 / HB 183
FINISH: Passivated and/or tested per ASTM A380	MIN CENTERLINE-TO-EDGE: 0.27

DESCRIPTION :  
THREADED STANDOFFS FOR SHEETS AS THIN AS .025" -  
TYPE TSO4 - UNIFIED



PennEngineering®

PART NO. :

TSO4-632-187

EMAIL: TECHSUPPORT@PEMNET.COM  
WWW.PEMNET.COM